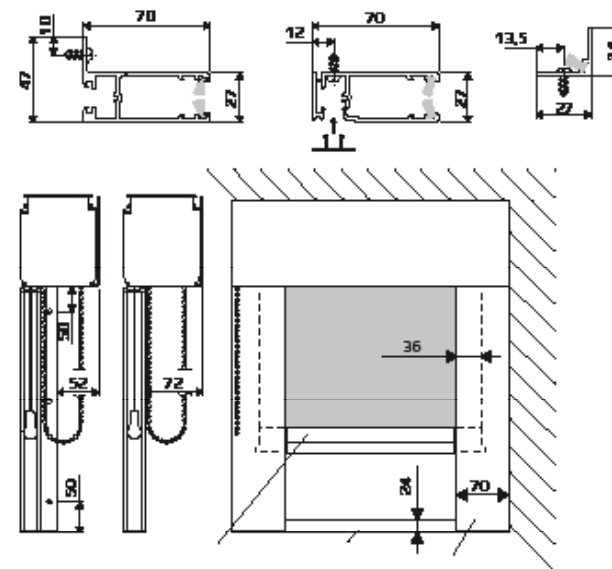
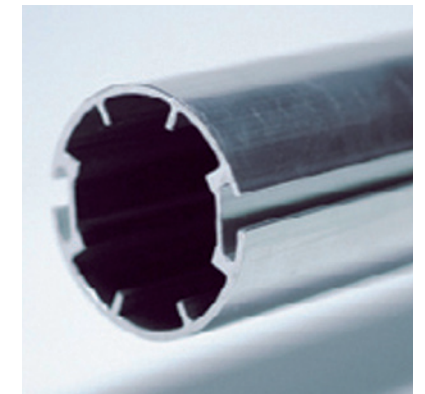


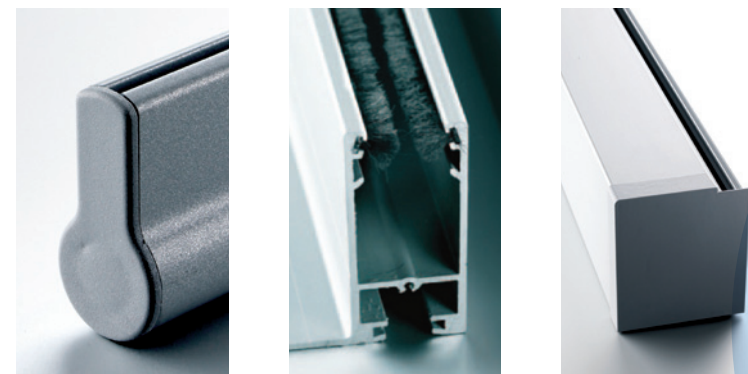
## Olympian 1600 cassette blind systems

Specifications				
Width	Min 550mm	Max 4000mm	Max Weight 12kg	
Drop	Min 500mm	Max 4000mm		
Profile	White and Black as standard			
Colour	Colour as cost option			
Tube Size	38mm	43mm	52mm	65mm
Control	Chain	Spring Assist	Crank	Motor
Headbox	Square as standard, round as an option			
Fabrics	Wide choice of blackout fabrics available. Please ask for sample swatches or see full range at <a href="http://www.opalcontracts.co.uk">www.opalcontracts.co.uk</a>			



### Maintenance

Periodically check all fittings are secure.  
Lubricate moving parts where necessary.  
Ultra-sonic cleaning service available.  
Please ask for details.



Opal Contracts (UK) Limited  
Units 2-4 Cato Street North,  
Nechells, Birmingham,  
B7 4TE  
t: 0121 333 5507  
f: 0121 359 7648  
[info@opalcontracts.co.uk](mailto:info@opalcontracts.co.uk)  
[www.opalcontracts.co.uk](http://www.opalcontracts.co.uk)



# Olympian 1600 cassette blind systems



## Application

The Opal Olympian 1600 range of blackout blinds are designed and manufactured to the highest possible standard making them the perfect choice for hospitals, schools, colleges and laboratories.

The Olympian 1600 system frame incorporates the blind fabric within, ensuring complete blackout. With only two basic profiles for both square and round cassette and fascia solutions, the complexity of installation is made easy, keeping costs at a competitive level.

## Control

The Olympian 1600 blackout blind system has been developed with ease of operation in mind and control of the blind can be by either crank, chain or motorised operation including remote control, switch control, infra-red control and automated options with solar detectors and timers for controlling blinds in groups or centrally.

## Fabrics

A wide range of blackout fabrics are available, all conforming to BS5867:Part 2, Type B fire retardancy.



## 1610

The lift assisting spring and the reduction gear for side operation are some of the reasons behind the smooth operation of our shades, especially with large or heavy fabrics. By combining the spring or reduction gear with the efficient chain mechanism you can provide the end user with a blind that is both quick and effortless in operation.

Noise plays an important part in our perception of quality in a roller blind. The design of the Large roller blind system ensures quiet operation - a feature that will be appreciated by the end user.



## 1620

Crank Rod manually operated blinds for fast, smooth and silent Operation, to suit the size / weight of the blind and the needs of the user. Rod operated blinds controlled by means of a detachable crank handle available in grey, designed for easy operation of larger blinds. These are generally required for very large blinds or when chains are not suitable.

Operation of very large blinds or those with heavy screen fabrics, lift assist springs are available for all sizes of tube, designed to fit into the control end of the tube and increase the lifting capacity. Several blinds can be coupled together and operated by a single control, up to a maximum width of 6m. Each blind can be individually adjusted on site to ensure the fabrics are perfectly aligned. Suitable for unsupervised public areas - avoiding potentially hazardous chains.



## 1630 Motorised Operation

Features: All hardware in White powder-coated aluminium with white moulded plastic fittings. Head-box 100 x 100 mm, enclosing 53 mm grooved aluminium barrel, with powerful 240v AC motor controlled by single Switch.

Many different control options are available including RF or infra-red remote, allowing the specifier to integrate the window blackout element into an overall scheme of electrical control systems. Many options are available including: Black hardware; No bottom channel, with the bottom bar running down to sill; Remote and/or group control systems.

'Tension' zip system available on all of the above. Pleaseask for further details.